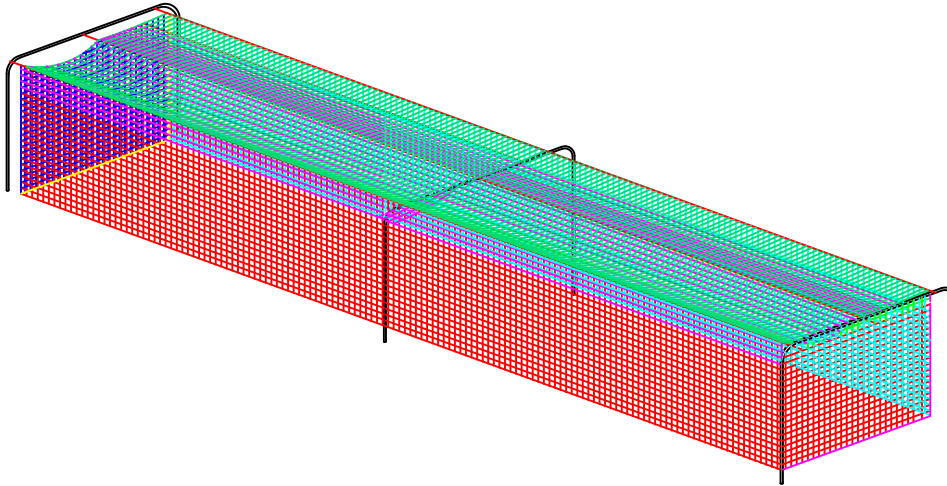


INSTALLATION INSTRUCTIONS PRO TUNNEL FRAME (3 SUPPORT SYSTEM)



These instructions are for a 55 foot or 70 foot tunnel net. If you have purchased a different net, adjust the layout of the Uprights to be 2 feet longer than the net. This Frame is designed to be used with various length nets.

SITE PREPARATION

1. Select a site where the frame is to be erected. The ground should be as level as possible and free of debris and obstacles. See **figure 1** for a 70' net or **figure 2** for a 55' net. For best installation use a full coverage concrete slab.
2. Locate and mark post centers.

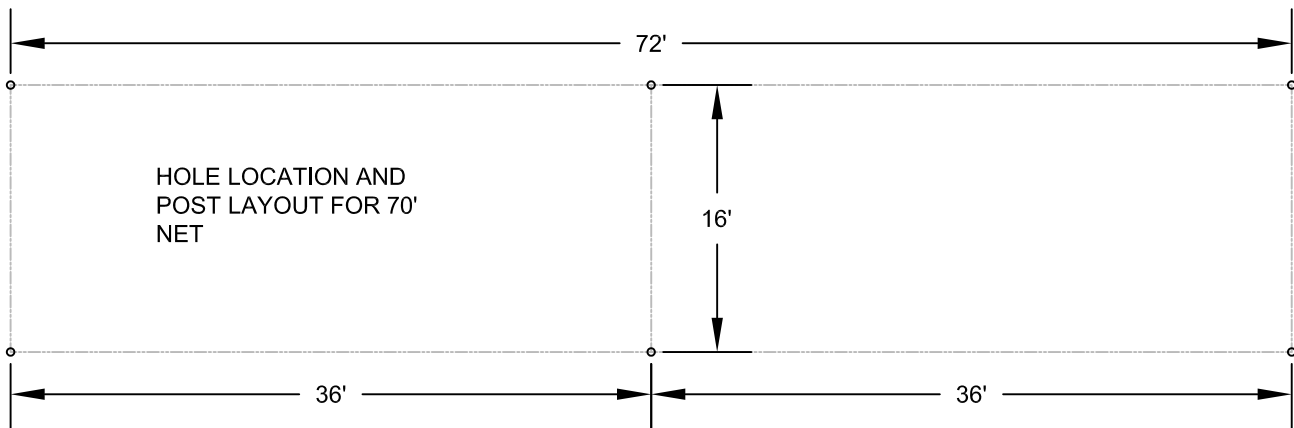


Figure 1

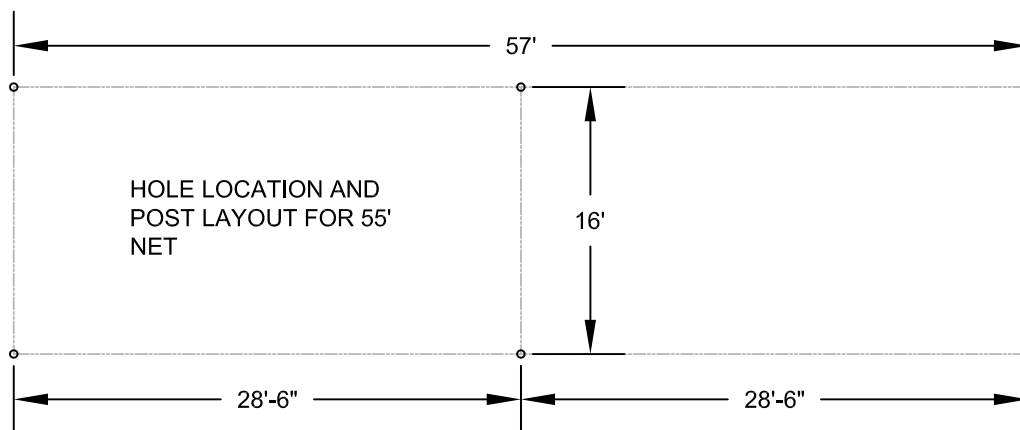


Figure 2

PRO TUNNEL FRAME (3 SUPPORT SYSTEM)

FRAME ASSEMBLY AND INSTALLATION

The Tunnel Frame you have purchased is designed for a permanent or semi permanent installation which will require a new or existing concrete slab or six individual concrete footings.

See **SITE PREPARATION figure 1 & 2** and **FOOTING DETAIL figure 3**.

Ground Sleeves (sold separately) will be required for semi permanent installation.

- STEP 1)** Dig 6 holes 30" deep and approximately 24" diameter. See **figure 1 & 2**.
- STEP 2)** Assemble the three sections of the Tunnel Frame using proper hardware provided as shown in **figure 3**.
- STEP 3)** Pour approximately 6" of gravel into the center holes. Stand up one section of the Tunnel Frame into the center holes (this will require 3 adults). Pour 10" of concrete around post; this will assist you while the Frame section is squared and leveled. Proceed filling the hole to ground level with concrete.
- STEP 4)** Repeat Step 3 for the two remaining sections of the Frame. Double check your spacing between sections at this time.

CABLE ASSEMBLY

- STEP 1)** Extend all six of the Turnbuckles (**item O**) to 75% of their total length. Attach 3 Turnbuckles to the cables as shown in **figure 6**. Attach the 3 Turnbuckles to the eyes on one end section of the frame.
- STEP 2)** Now thread the open end of the Cable (**item M**) through the Eyes on the middle section of the frame.
- STEP 3)** Assemble the remaining 3 Turnbuckles to the open end of the Cables using Cable Clamps (**item N**) as shown in **figure 6**. Pull as much slack as possible out of the Cable leaving the Turnbuckles to remove the remaining slack.

NET INSTALLATION

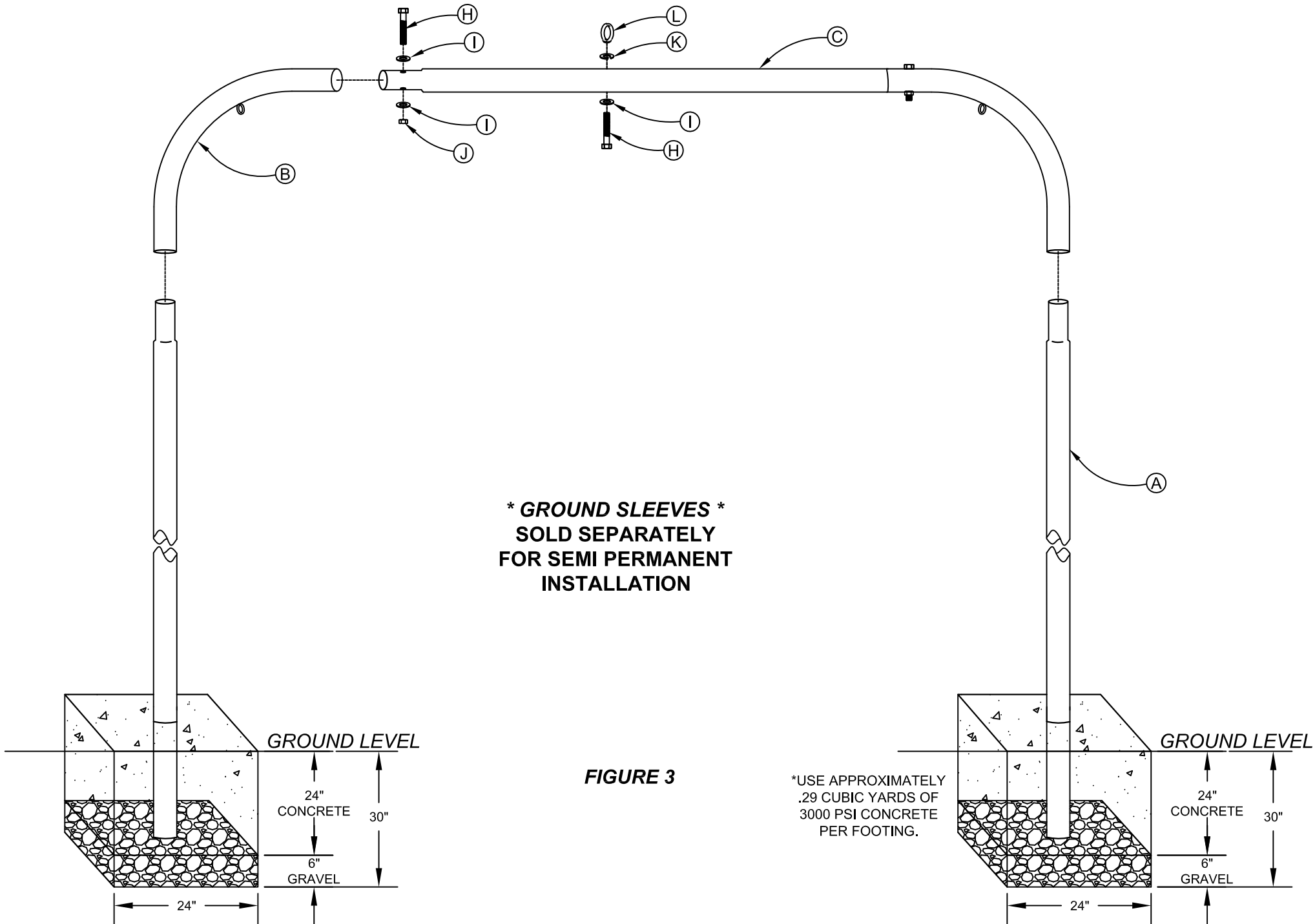
- STEP 1)** Stretch out the net on the ground underneath the cables. Starting with the center cable and the center rope of the net, evenly space 15 Quick Links (**item P**) while attaching net to the cable. Use 15 Quick Links per cable to finish attaching net. See **figure 6**.
- STEP 2)** Use the nylon tie wraps (**item D**) between quick links to improve net sag. Do not tighten tie wraps completely see **figure 6**.

MANUFACTURE STRONGLY RECOMMENDS THAT NETS ARE REMOVED FROM FRAME WHEN NOT USED FOR EXTENDED PERIODS OF TIME. ALSO DURING HIGH WINDS, ICE OR SNOW STORMS.

PARTS LIST

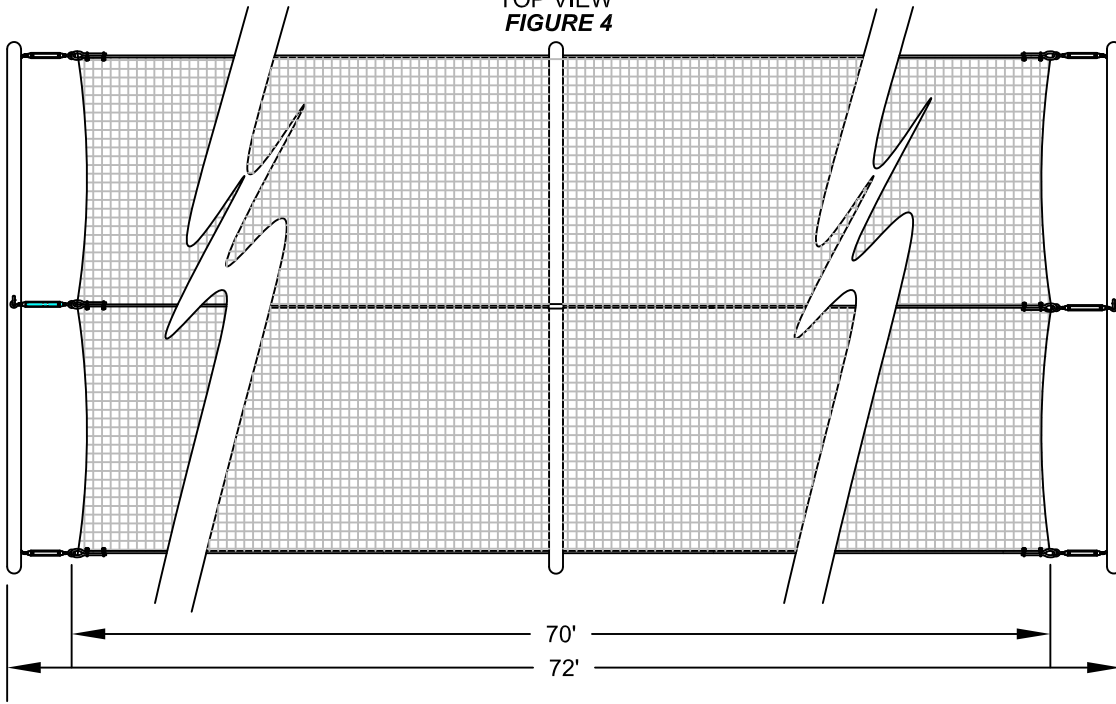
<u>ITEM</u>	<u>DESCRIPTION</u>	<u>QTY</u>
A	LOWER POST	6 EA.
B	CORNER ELBOW	6 EA.
C	TOP CROSS BAR	3 EA.
D	NYLON TIE WRAPS	1 PK.
H	HEX BOLT 3/8" X 4 1/2"	9 EA.
I	FLAT WASHER 3/8"	15 EA.
J	LOCKNUT 3/8"	6 EA.
K	SPLIT LOCK WASHER 3/8"	3 EA.
L	EYE NUT 3/8"	3 EA.
M	CABLE 75'	3 EA.
N	CABLE CLAMP	12 EA.
O	TURN BUCKLE	6 EA.
P	QUICK LINK 3/16"	45 EA.

PRO TUNNEL FRAME (3 SUPPORT SYSTEM)



PRO TUNNEL FRAME (3 SUPPORT SYSTEM)

TOP VIEW
FIGURE 4



SIDE VIEW
FIGURE 5

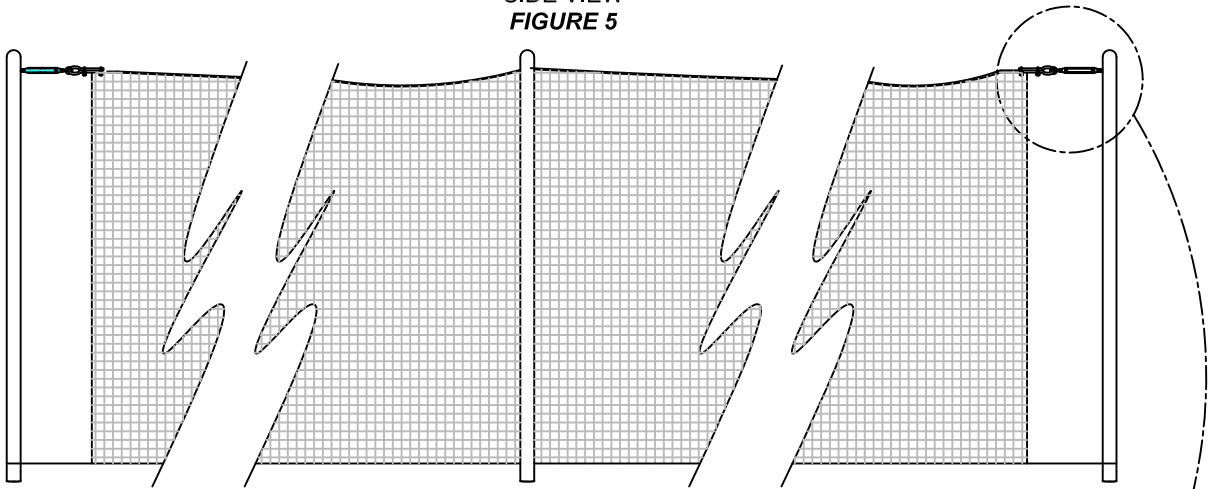
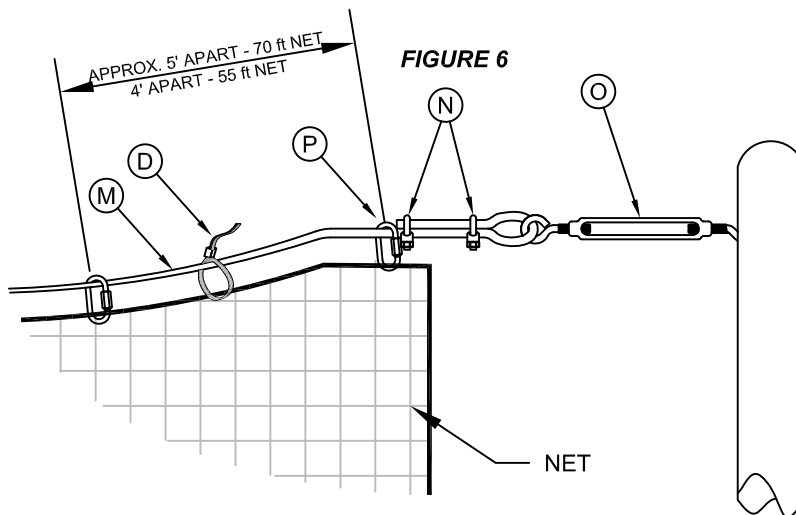
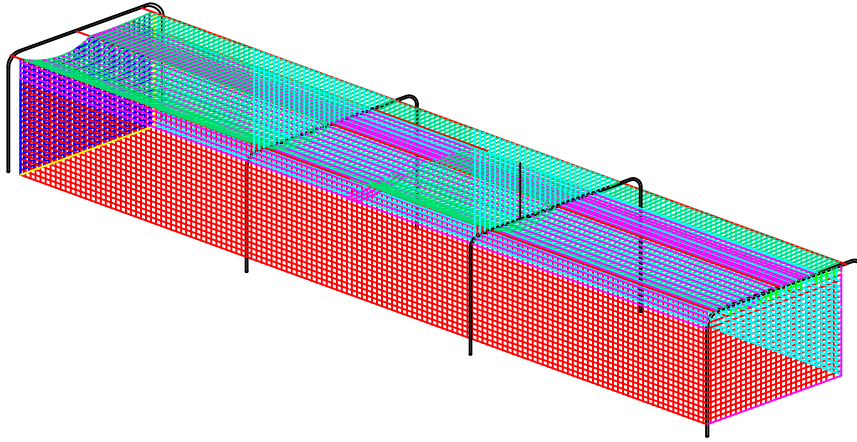


FIGURE 6



INSTALLATION INSTRUCTIONS PRO TUNNEL FRAME (4 SUPPORT SYSTEM)



These instructions are for a 55 foot or 70 foot tunnel net. If you have purchased a different net, adjust the layout of the Uprights to be 2 feet longer than the net. This Frame is designed to be used with various length nets.

SITE PREPARATION

1. Select a site where the frame is to be erected. The ground should be as level as possible and free of debris and obstacles. See **figure 1** for a 70' net or **figure 2** for a 55' net. For best installation use a full coverage concrete slab.
2. Locate and mark post centers.

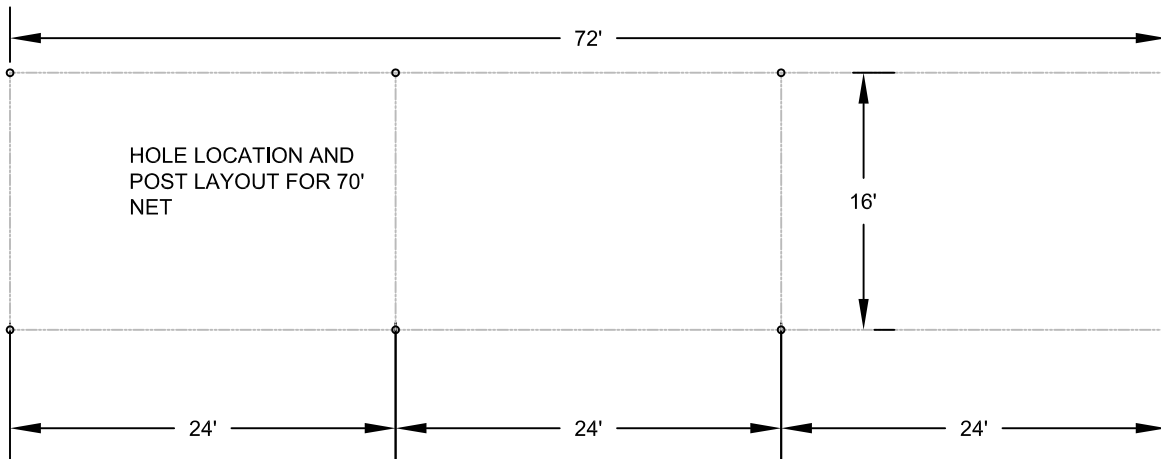


Figure 1

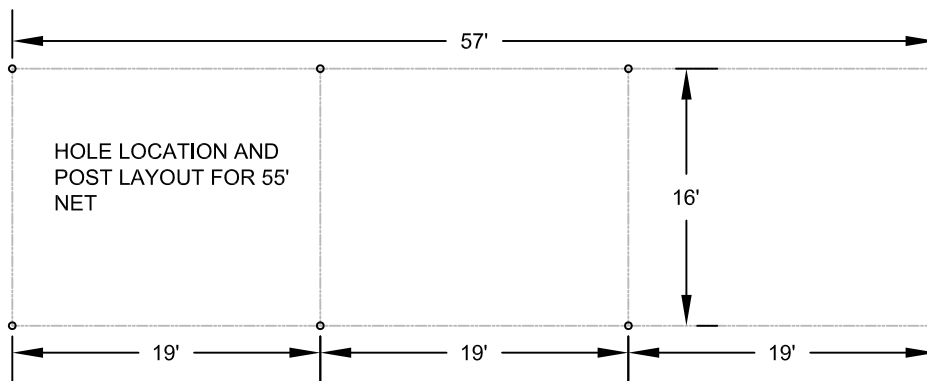


Figure 2

PRO TUNNEL FRAME (4 SUPPORT SYSTEM)

FRAME ASSEMBLY AND INSTALLATION

The Tunnel Frame you have purchased is designed for a permanent or semi permanent installation which will require a new or existing concrete slab or six individual concrete footings.

See **SITE PREPARATION figure 1 & 2** and **FOOTING DETAIL figure 3**.

Ground Sleeves (sold separately) will be required for semi permanent installation.

- STEP 1)** Dig 8 holes 30" deep and approximately 24" diameter. **figure 1 & 2**.
- STEP 2)** Assemble the four sections of the Tunnel Frame using proper hardware provided as shown in **figure 3**.
- STEP 3)** Pour approximately 6" of gravel into the center holes. Stand up one section of the Tunnel Frame into the center holes (this will require 3 adults). Pour 10" of concrete around post; this will assist you while the Frame section is squared and leveled. Proceed filling the hole to ground level with concrete.
- STEP 4)** Repeat Step 3 for the three remaining sections of the Frame. Double check your spacing between sections at this time.

CABLE ASSEMBLY

- STEP 1)** Extend all six of the Turnbuckles (**item O**) to 75% of their total length. Attach 3 Turnbuckles to the cables as shown in **figure 6**. Attach the 3 Turnbuckles to the eyes on one end section of the frame.
- STEP 2)** Now thread the open end of the Cable (**item M**) through the Eyes on the middle section of the frame.
- STEP 3)** Assemble the remaining 3 Turnbuckles to the open end of the Cables using Cable Clamps (**item N**) as shown in **figure 6**. Pull as much slack as possible out of the Cable leaving the Turnbuckles to remove the remaining slack.

NET INSTALLATION

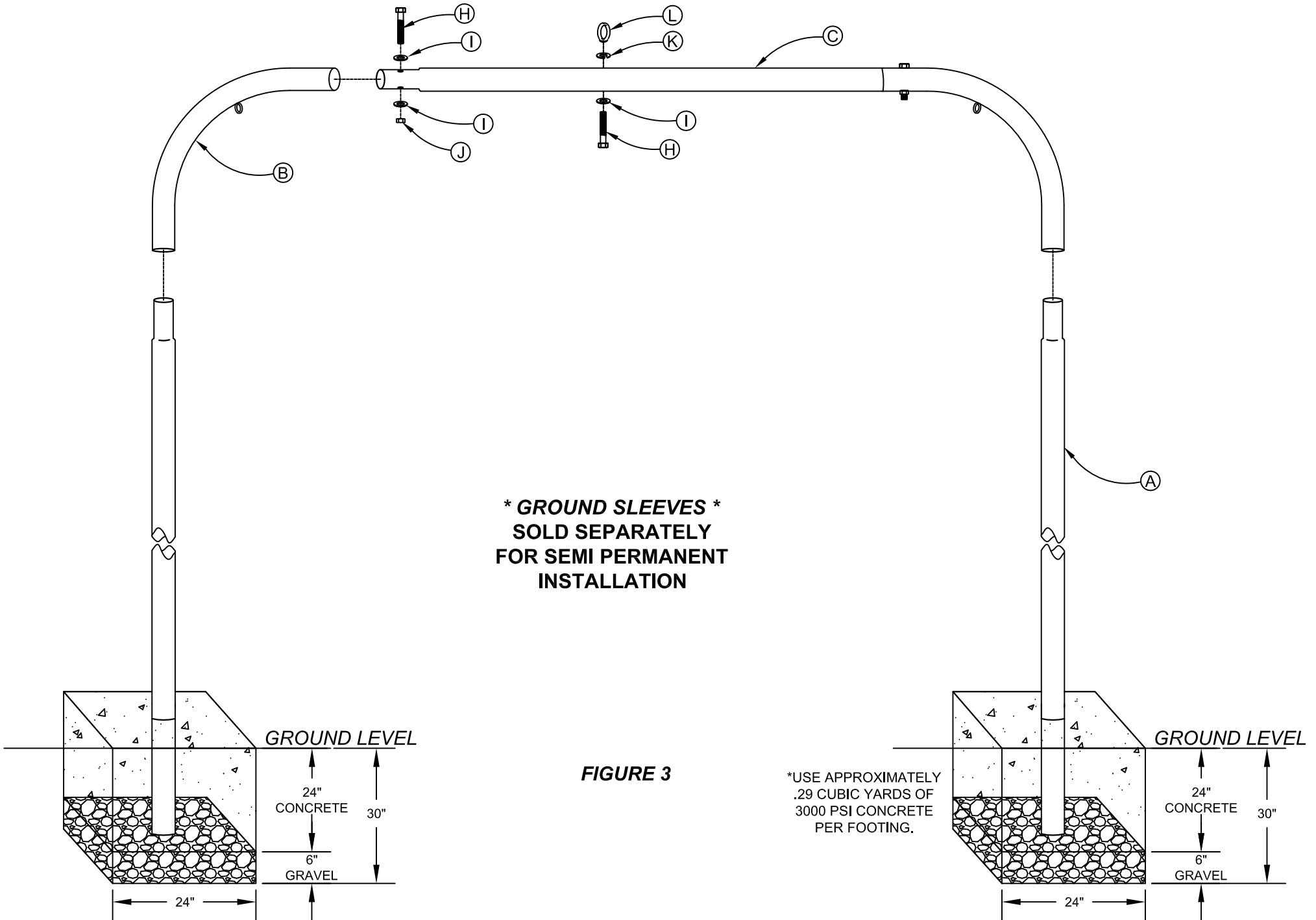
- STEP 1)** Stretch out the net on the ground underneath the cables. Starting with the center cable and the center rope of the net, evenly space 15 Quick Links (**item P**) while attaching net to the cable. Use 15 Quick Links per cable to finish attaching net. See **figure 6**.
- STEP 2)** Use the nylon tie wraps (**item D**) between quick links to improve net sag. Do not tighten tie wraps completely see **figure 6**.

MANUFACTURE STRONGLY RECOMMENDS THAT NETS ARE REMOVED FROM FRAME WHEN NOT USED FOR EXTENDED PERIODS OF TIME. ALSO DURING HIGH WINDS, ICE OR SNOW STORMS.

PARTS LIST

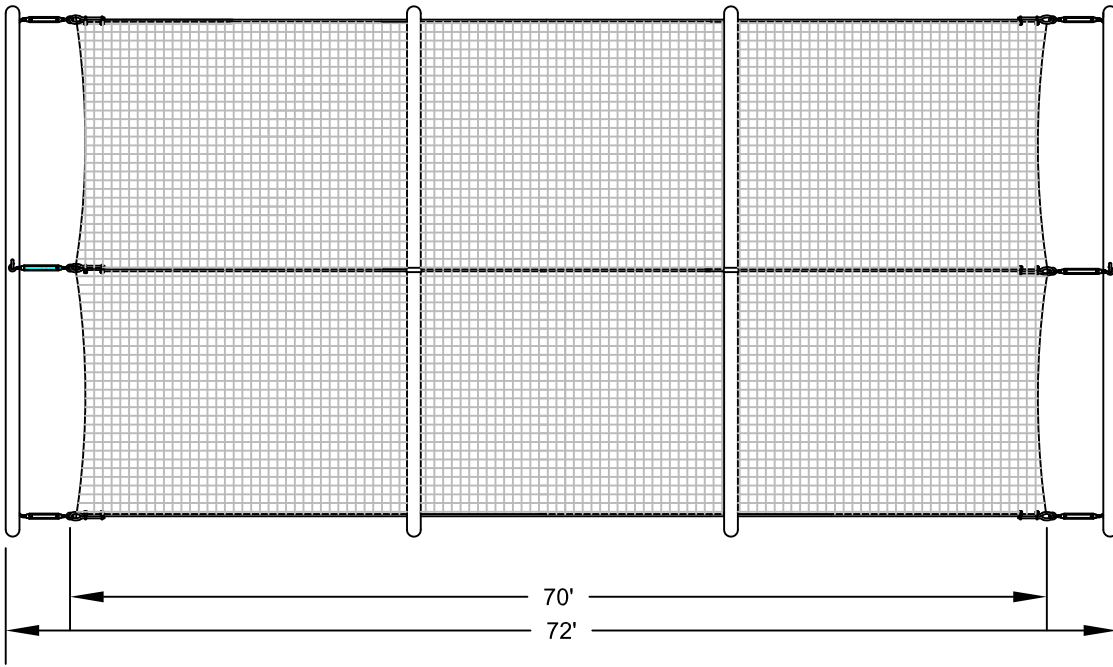
<u>ITEM</u>	<u>DESCRIPTION</u>	<u>QTY</u>
A	LOWER POST	8 EA.
B	CORNER ELBOW	8 EA.
C	TOP CROSS BAR	4 EA.
D	NYLON TIE WRAPS	1 PK.
H	HEX BOLT 3/8" X 4 1/2"	12 EA.
I	FLAT WASHER 3/8"	20 EA.
J	LOCKNUT 3/8"	8 EA.
K	SPLIT LOCK WASHER 3/8"	4 EA.
L	EYE NUT 3/8"	4 EA.
M	CABLE 75'	3 EA.
N	CABLE CLAMP	12 EA.
O	TURN BUCKLE	6 EA.
P	QUICK LINK 3/16"	45 EA.

PRO TUNNEL FRAME (4 SUPPORT SYSTEM)



PRO TUNNEL FRAME (4 SUPPORT SYSTEM)

TOP VIEW
FIGURE 4



SIDE VIEW
FIGURE 5

